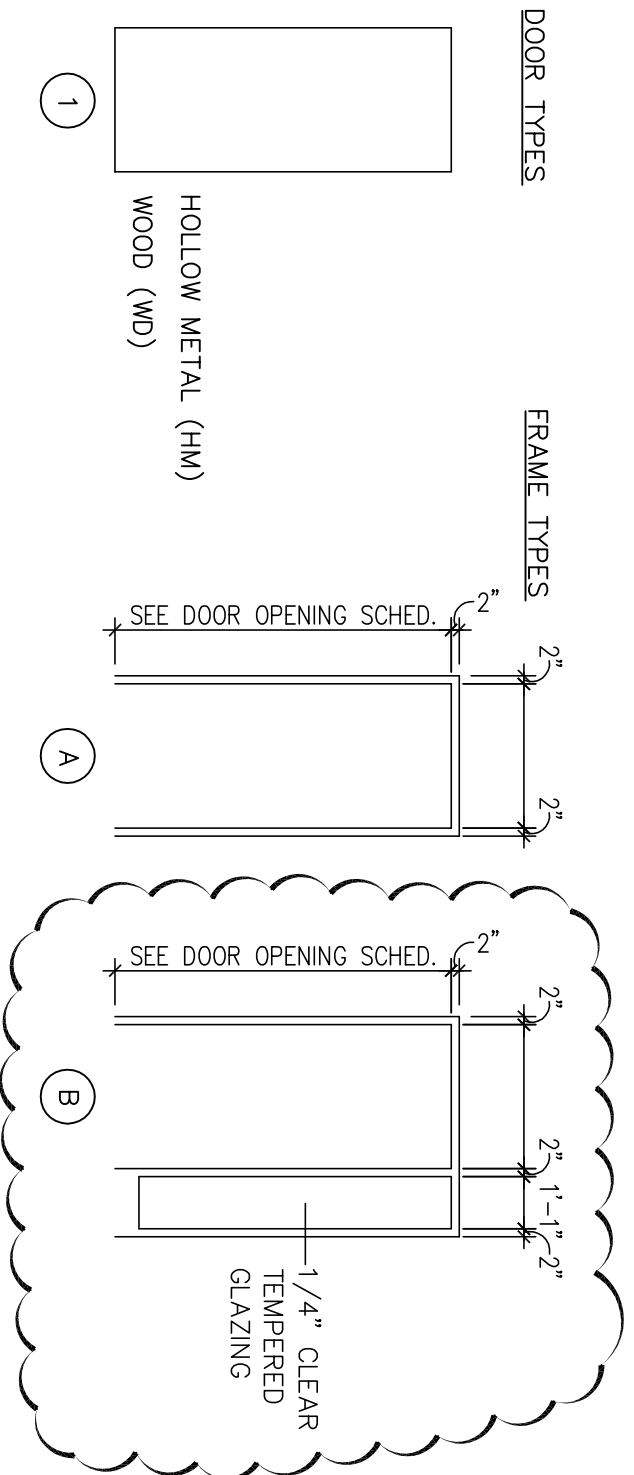


DOOR SCHEDULE

| NO. | DOOR  |        |        | FRAME |      |        |      |      |        |         | REMARKS |   |                |        |   |
|-----|-------|--------|--------|-------|------|--------|------|------|--------|---------|---------|---|----------------|--------|---|
|     | WIDTH | HEIGHT | TH.    | TYPE  | MTL. | FINISH | TYPE | MTL. | FINISH | DETAILS |         |   | HARDWARE GROUP | RATING |   |
|     |       |        |        |       |      |        |      |      |        | H       |         | J |                |        | T |
| 101 | 3'-0" | 6'-8"  | 1-3/4" | 1     | WD   |        | A    | HM   |        |         |         |   |                |        |   |
| 102 | 3'-0" | 6'-8"  | 1-3/4" | 1     | WD   |        | A    | HM   |        |         |         |   |                |        |   |
| 103 | 3'-0" | 6'-8"  | 1-3/4" | 1     | WD   |        | B    | HM   |        |         |         |   |                |        |   |
| 104 | 3'-0" | 6'-8"  | 1-3/4" | 1     | WD   |        | B    | HM   |        |         |         |   |                |        |   |

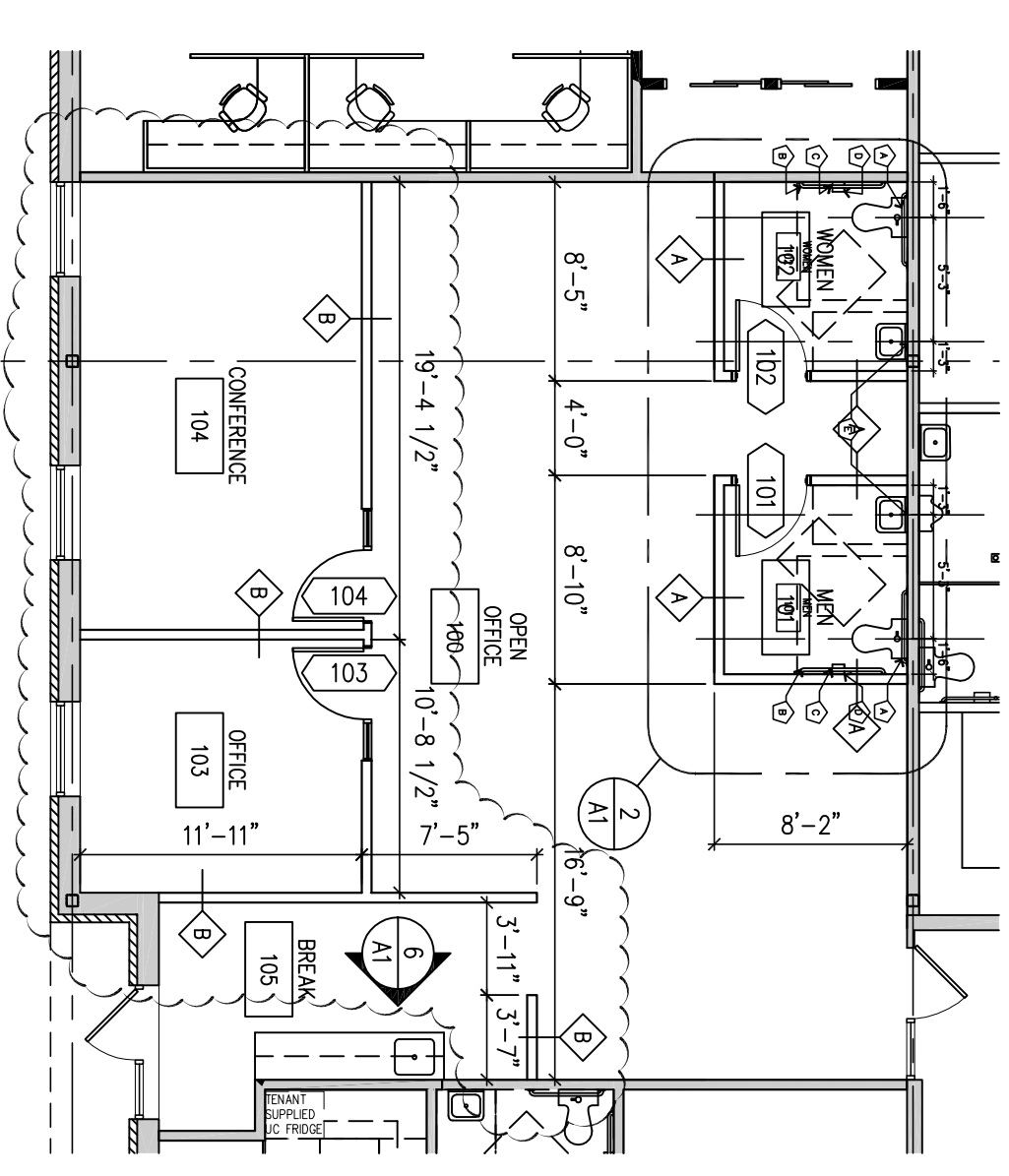
HARDWARE NOTES

1. DOOR HANDLES TO BE SCHLAGE "SPARTA" LEVER TYPE W/ US32D FINISH OR SIMILAR.
2. OWNER TO COORDINATE W/ DOOR HARDWARE PROVIDER FOR SPECIFIC DOOR FUNCTIONS.
3. GLASS ABOVE 18" SHOULD 1/4" CLEAR. GLASS BELOW 18" SHOULD BE 1/4" TEMPERED.

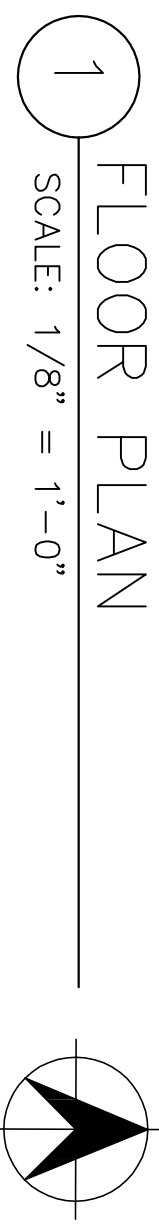


PARTITION TYPES

- B — 3-5/8" METAL STUD PARTITION
- 25Ga. 3-5/8" METAL STUDS @ 16" O.C. WITH FLOOR AND CEILING RUNNERS. WALL TIGHT TO DECK ABOVE. ONE LAYER 5/8" TYPE 'X' GYPSUM BOARD EACH SIDE OF WALL TO EXTEND 6" ABOVE CEILING GRID.



FLOOR PLAN



**Kelly Jahn**  
interior architecture  
& DESIGN

274 Avalon Drive  
Rochester, NY 14618  
p 585.354.2788  
email kjahn@kellyjahn.onmicrosoft.com

REVISION DESCRIPTION:

Add office, conference room and screen wall at breakroom.

Revision 1

Title Revised Floor Plan

Project No. 1003.15

Date 12/07/2015

OWNER:

Gallina Development  
890 South Winton Road  
Suite 100  
Rochester, NY 14618  
PH. 585-654-6650

PROJECT NAME & ADDRESS:

Superior Plus Energy Services, Inc.  
1882 South Winton Road  
Suite 7  
Rochester, NY 14618

DRAWING NUMBER:

**SD-1**