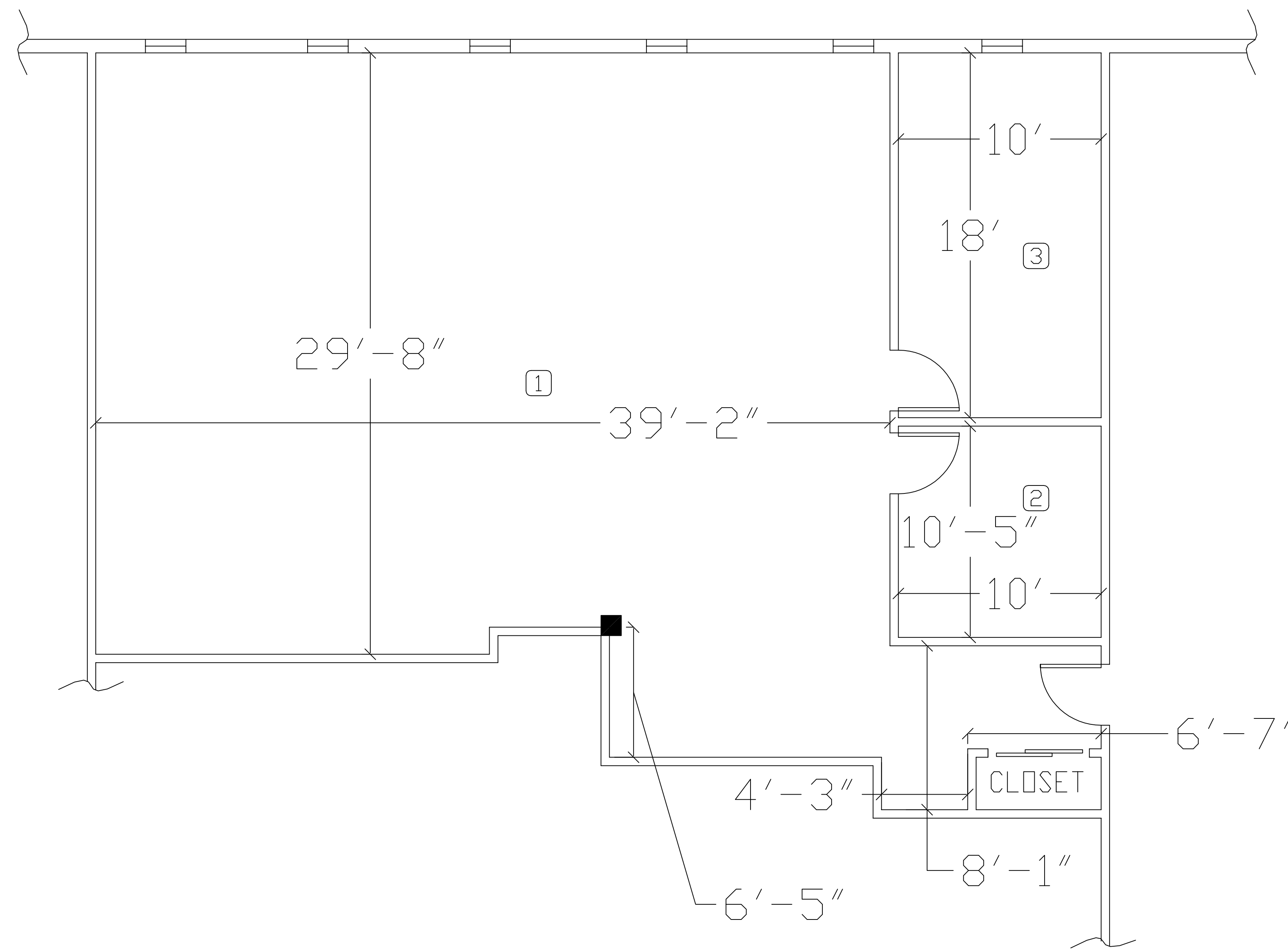
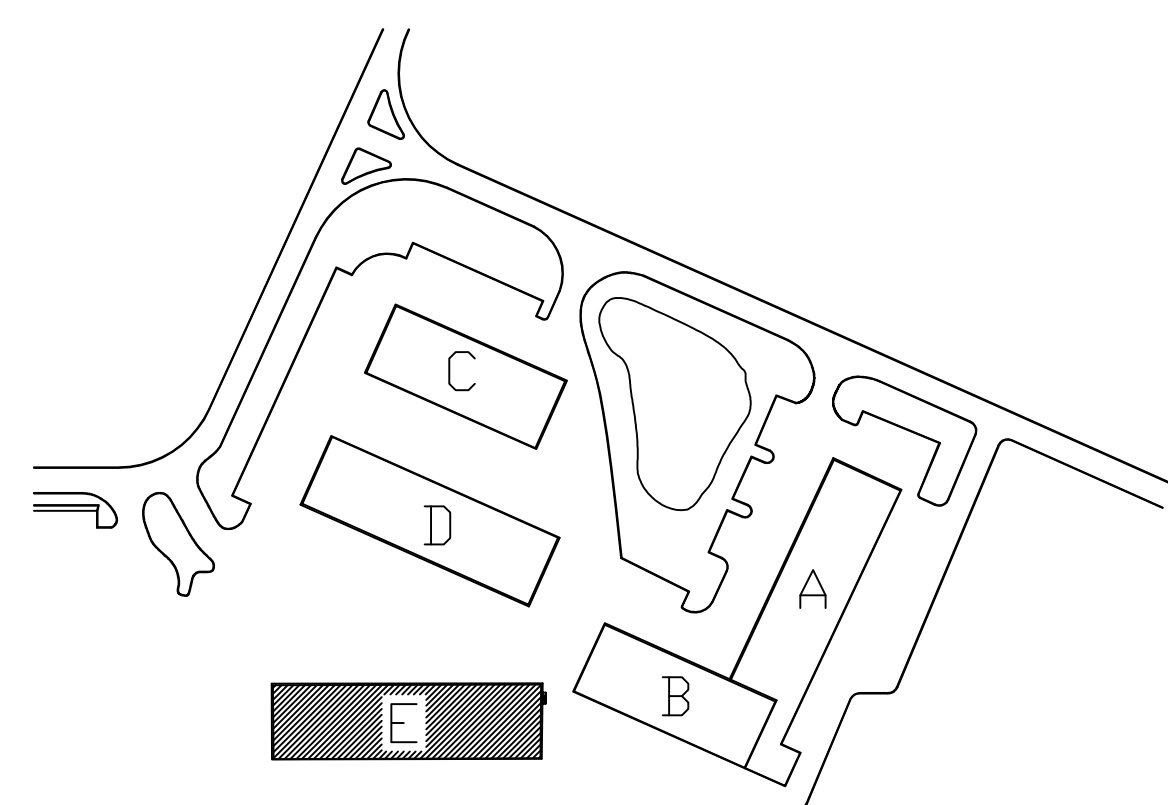


GALLINA DEVELOPMENT CORPORATION
 3495 WINTON PLACE
 BUILDING E SECOND FLOOR WEST SUITE # 210



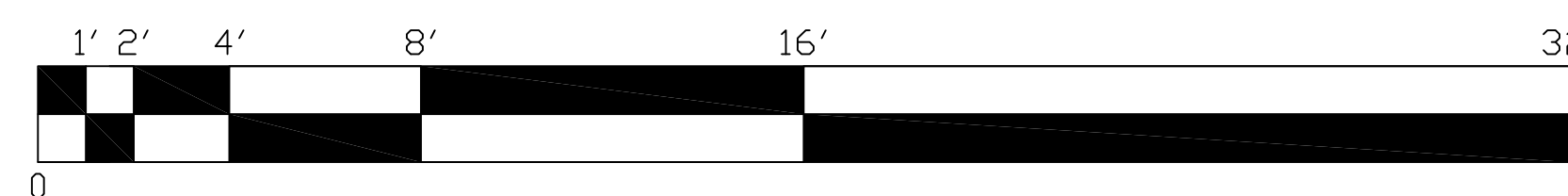
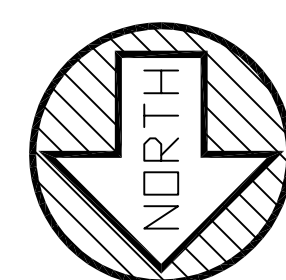
BLDG. E SECOND FLOOR WEST SUITE # 210
 LOCATION PLAN

NOT TO SCALE



SITE PLOT PLAN

NOT TO SCALE



ARCH "D" PLOT SCALE: 1/4" = 1'-0"

ALL DIMENSIONS APPROXIMATE - FIELD VERIFY

